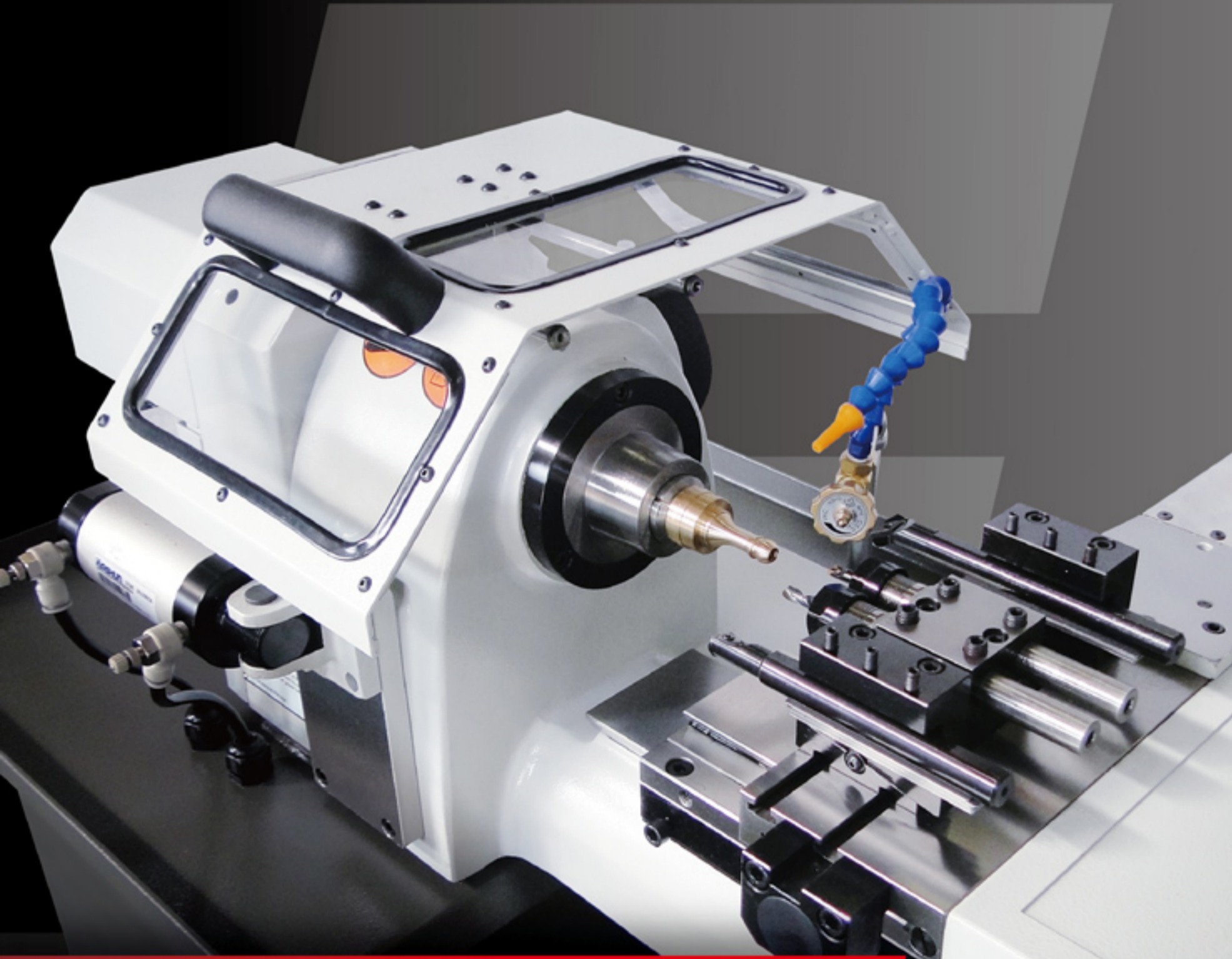


CYCLEMATIC

www.cyclematic.com



CJ-27CNC

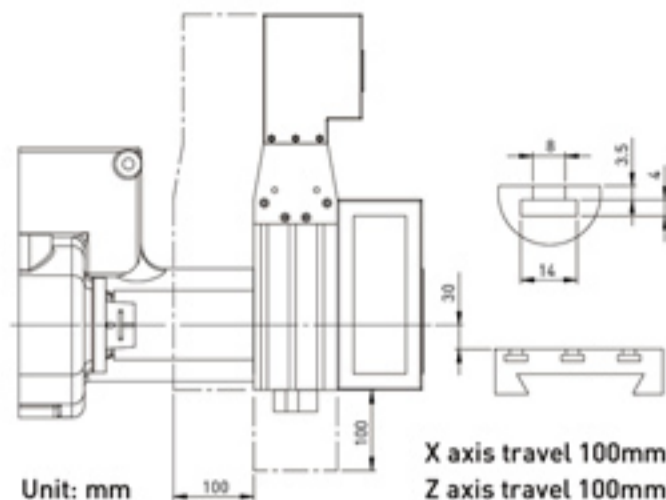
CNC TOOLROOM LATHE
MINI CNC LATHE

CJ-27CNC

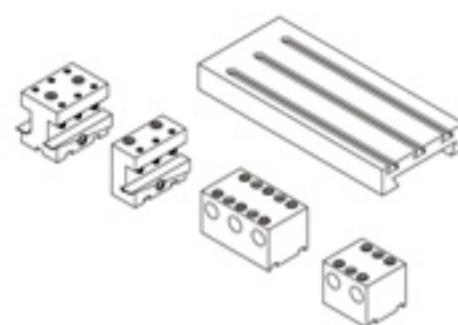
HIGH-SPEED AND HIGH PRECISION CNC LATHE
WITH COMPACT SPACE AND LOW COST



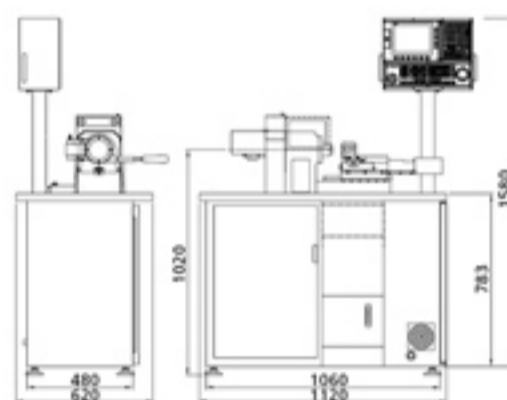
TOOL AREA



OPTIONAL TOOL HOLDER



OUTLINE DIMENSIONS



SPECIFICATIONS

Capacity	Swing Over Bed	230mm	
	Max Diameter (5C Collet)	27mm	
Collet	Collet Type		5C
	Bore	I.D.	27mm
		Square	19mm
		Hexagon	22mm
Spindle	Spindle Speed	50-4000 r.p.m	
	Hole Through Spindle	31.75mm	
Travel of Tool Slide	X-Axis Travel	100mm	
	Z-Axis Travel	100mm	
Motor	Main Motor	1.5kw(2HP)	
	Feed Motor(X/Z)	0.4KW	
Machine Dimensions		1120 X 620 X 1580	
Machine Weight		500kg	
Height of Machine		1580mm	
Tool		12mm	

Note: Specifications and components are subject to change without prior notice

OPTIONAL ACCESSORIES

- Collet
- Collet Stop
- Expanding Collet
- Step Chuck
- 3-Jaw or 4-Jaw Chuck
- Full Safety Guard
- Tool Holder



CYCLEMATIC
CYCLEMATIC MACHINERY CO., LTD.

韻光機械工業股份有限公司
No. 20, Lane 50, Ming Shen Rd.,
Shen Kang Dist., Taichung 429, Taiwan
TEL: 886-4-25625393 FAX: 886-4-25620298
Email: cymatic@ms23.hinet.net

www.cyclematic.com