

CYCLEMATIC

www.cyclematic.com



CT-A70CNC

CNC TOOLROOM LATHE
SLANT BED CNC LATHE

CT-A70CNC

HIGH-SPEED AND HIGH PRECISION CNC LATHE



- Gang Type Tooling
- Cast-Iron Base and Components
- 75 Degrees Slant Bed
- LM Guideways and Ball Screws

SPECIFICATIONS

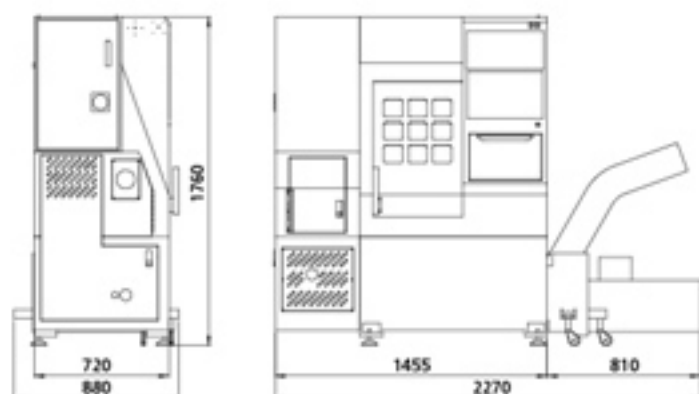
Capacity	Swing Over Bed Dia	270mm
	Swing Over Cross Slide Dia	130mm
	Collet	5C/YB32
	Max Bar Diameter	27/32mm
Headstock	Spindle Hole	31.75mm(5C) / 39mm(YB32)
	Max Speed	4000/6000 r.p.m
	Max Rating	2.2kw(3HP) / 3.7kw(5HP)
	Coolant Pump	0.18kw(1/4HP)
Axis	X-Axis Travel	400mm
	Z-Axis Travel	200mm
	X Axis Ball Screw Dia X Pitch	20x5mm
	Z Axis Ball Screw Dia X Pitch	20x5mm
Machine Size	Machine Size(LxWxH)	227x88x176cm
	Machine Weight	920kg

Note: Specifications and components are subject to change without prior notice

OPTIONAL ACCESSORIES

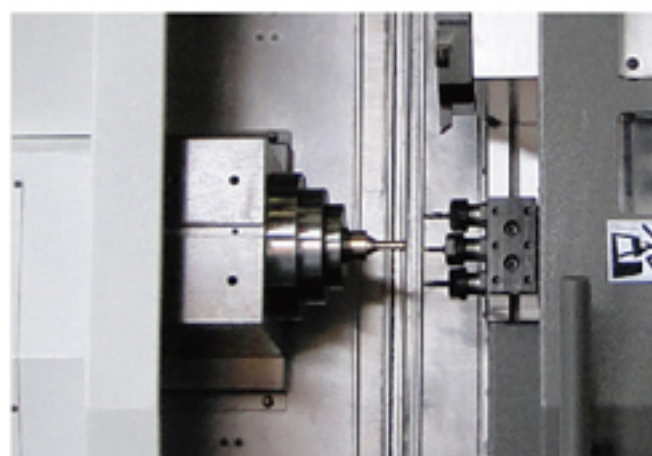
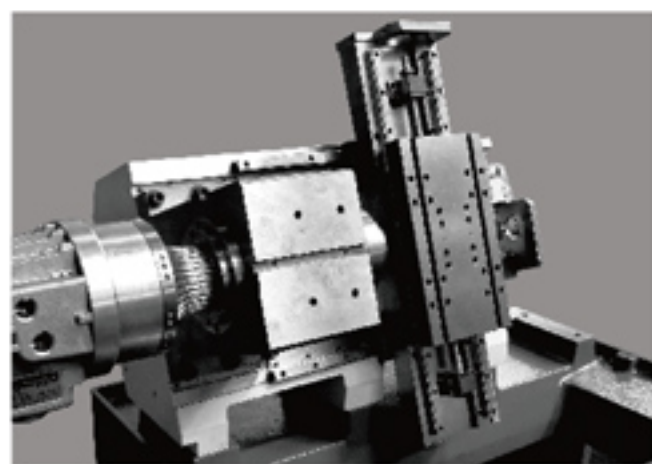
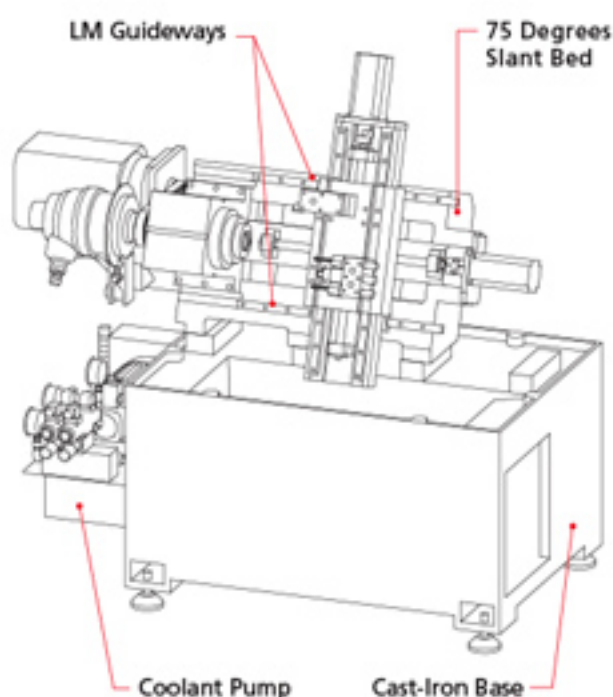
- Chip Conveyor with Bucket
- Bar Feeder
- 4" 3-Jaw Hydraulic Chuck
- Six-Station Turret
- Tailstock

OUTLINE DIMENSIONS



Unit : mm

KEY FEATURES



CYCLEMATIC
CYCLEMATIC MACHINERY CO., LTD.

韻光機械工業股份有限公司
No. 20, Lane 50, Ming Shen Rd.,
Shen Kang Dist., Taichung 429, Taiwan
TEL: 886-4-25625393 FAX: 886-4-25620298
Email: cymatic@ms23.hinet.net

www.cyclematic.com